

SILENTFLEX® SVR-126

The Silentflex® SVR-126 is a full metal damper designed to support big deflections.

This unit consists of:

- 2 springs, a central shaft and two steel cups
- Antivibration made in metal cushion (stainless steel)
- Surface treatment: black phosphating
- Weight: 470 gr

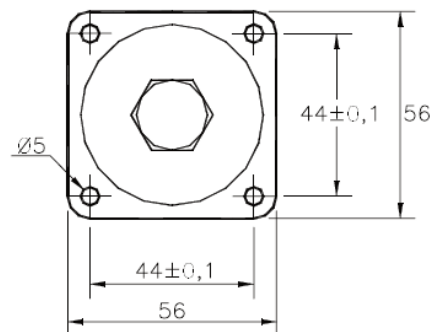
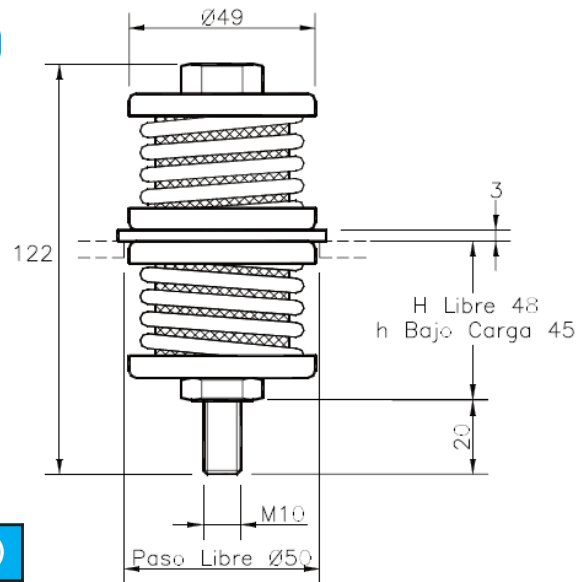


APPLICATION

The Silentflex® SVR-126 is a flexible support developed for being used in all types of anti-vibration piping and exhaust duct fastening. Is not affected by high temperatures or corrosive environments (ideal for automotive, trucks, ships and others).

SIZES AND PROPERTIES

- Resonance frequency: 5 to 7 Hz
- Max. deflection in resonance: 1 mm
- Resonance amplification coef. < 5
- Temperature range: -70 to 300 °C
- 3g supported under nominal solicitation



Reference	Axial Static Load (Kg)
SVR-126-1	12
SVR-126-2	20
SVR-126-3	40-45